

# The L4Re Microkernel

Adam Lackorzynski

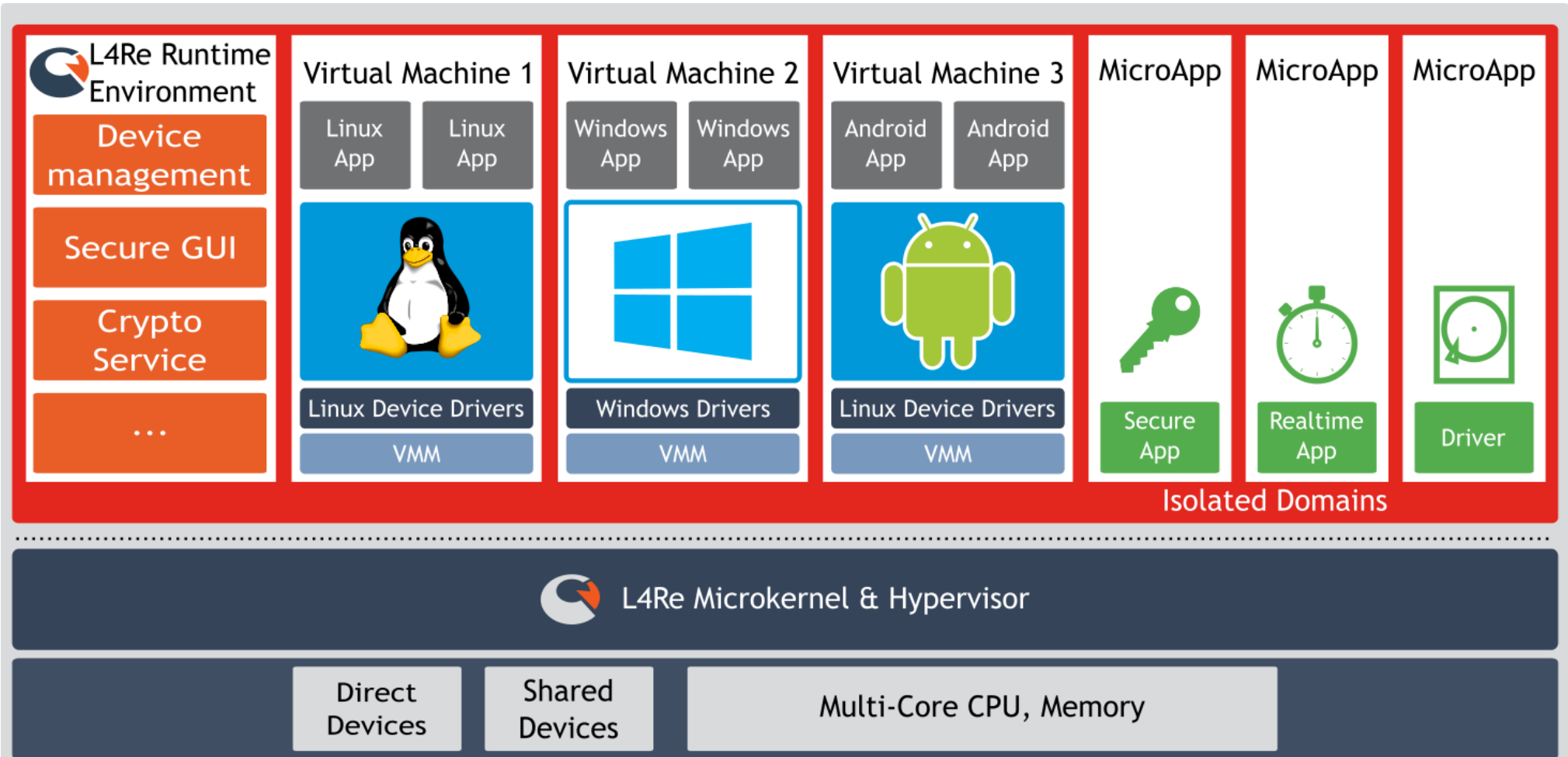
May 2020

- What is L4Re?
- History
- The L4Re Microkernel / Microhypervisor
- Fiasco Interfaces
- Multiprocessor systems
- Virtualization
- ...

- L4Re is a microkernel-based operating system framework
- Provides building blocks to build systems
  - Security
  - Safety
  - Real-time
  - Virtualization
- Framework for building „μApps“
  - Libraries and services, libc, pthread, libstdc++, program loading, POSIX subset, shared libraries, memory allocators, ...
- Hypervisor: Use virtualization to run (existing) guest systems

- ~1995+: Jochen Liedtke develops L4 microkernel
  - New minimalistic approach; pure assembly; performance
  - Interface: L4-v2
- ~1996+: First application: L4Linux
- ~1997+: Development of Fiasco starts
  - Original L4 kernel restrictive
  - Modern C++-based design
- DROPS project (Dresden Real-time OPerating System)
  - Fiasco is a real-time kernel
- Uni Karlsruhe: L4-x0, L4-x2/v4 interfaces
- L4Env – L4 Environment
  - Environment to run applications on the system

- General shift of focus from real-time to security
- All interfaces (v2 + x2/v4) not suited
  - Global identifiers
- New interface:
  - Capability-based naming
  - Needs redesign of whole user-level framework and applications
- New: L4Re
  - Capability-based run-time environment
  - Kernel/user co-design
  - Uniform & transparent service invocation
- Today: L4Re developed & maintained by Kernkonzept

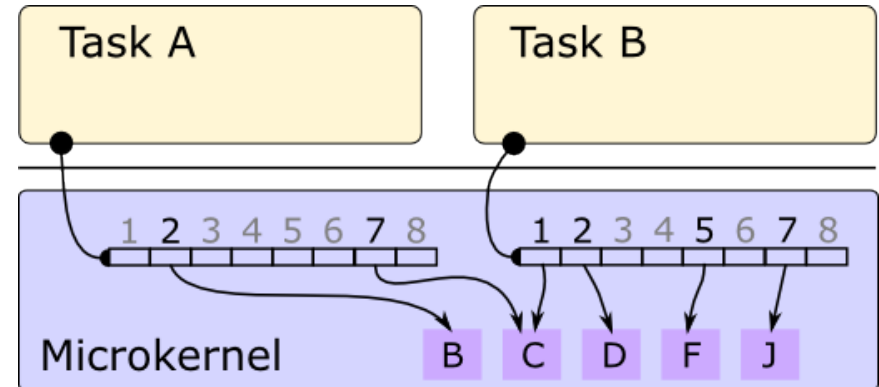


- Also called:
  - L4Re Hypervisor, L4Re Microhypervisor
  - Fiasco.OC – Added with capabilities
  - Fiasco
- Continuously developed since 1997
- Started as a single-processor kernel for x86-32
  - Initially on the Pentium-1
- Followed by:
  - ARM, 32bit
  - Itanium IA64
  - PPC32, Sparc
  - MIPS: 32bit + 64bit (r2+r6, LE/BE)
  - ARM, 64bit

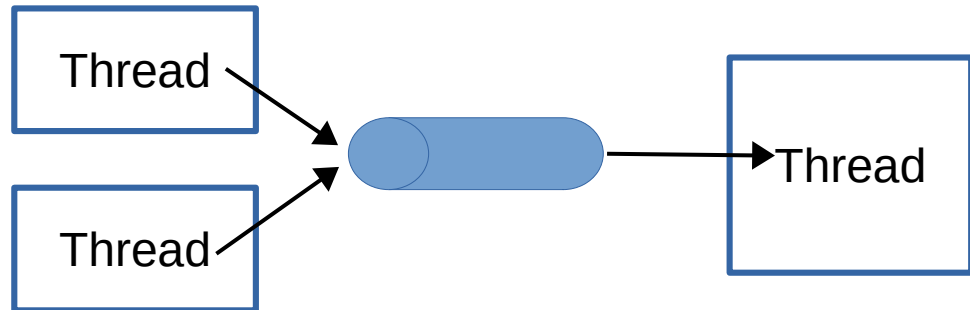
- Capability-based access model
- Multi-processor
- Multi-architecture: ARM, MIPS, x86 (Main architectures)
- 32 & 64 bit
- Generic virtualization approach
  - Paravirtualization
  - Hardware-assisted virtualization: ARM VE, MIPS VZ, Intel VT, AMD SVM
  - For most people it's a hypervisor
- Continuous to be open source



- Every accessible function is called through an object
  - C++ object, derived from base object L4::Kobject
  - E.g. Thread, Task, Irq
- Each such object has a pointer
- A capability is such a pointer
  - But protected by the kernel
  - By an indirection through an array in kernel's address space
  - Invocation is done with an integer indexing into the array
  - Implemented with a sparse array



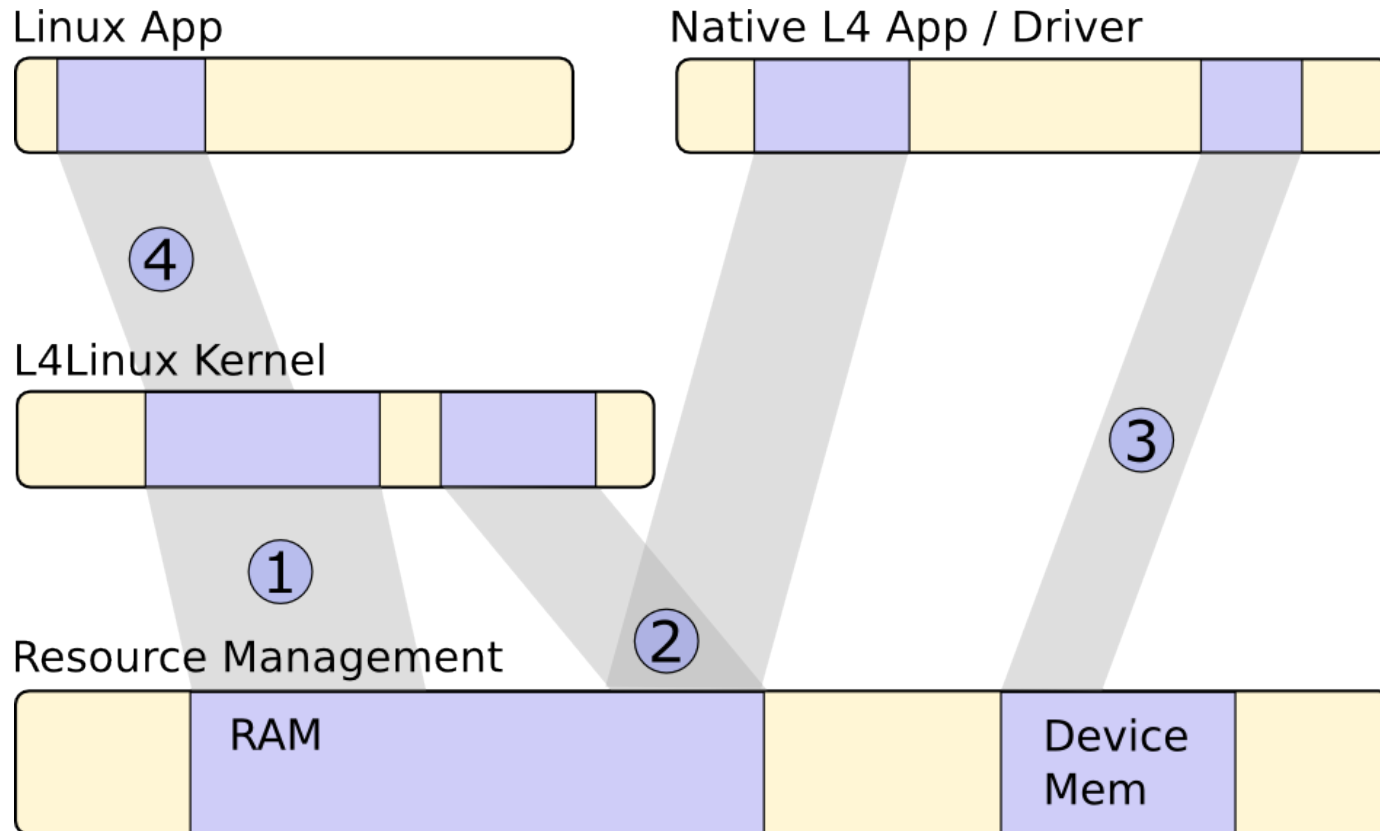
- Crucial object: Communication channel (between threads)
- One thread listens to messages
- Multiple threads can send to it

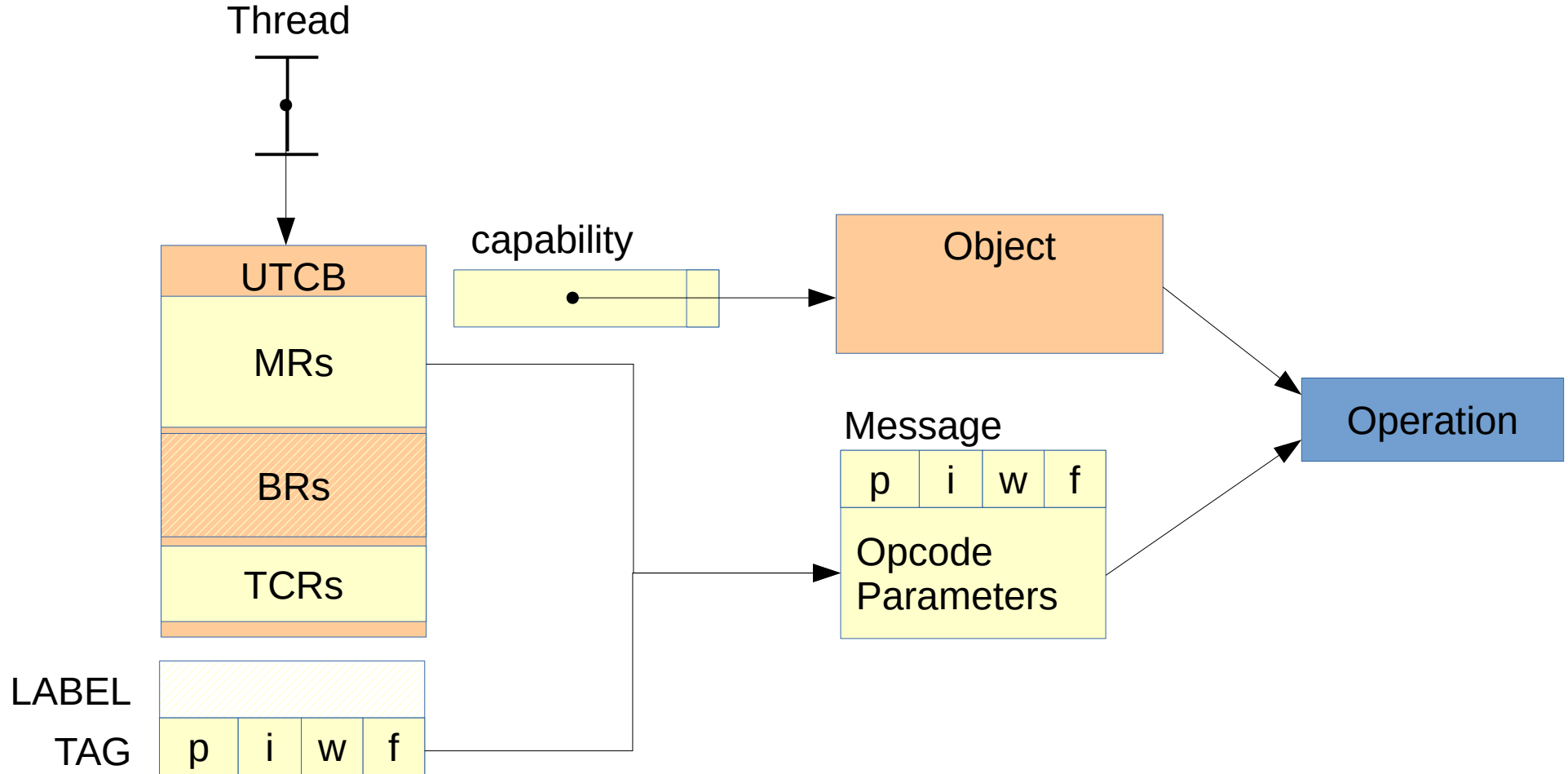


- Inter-Process Communication (IPC)
  - Actually between threads
- UTCB – „User Thread Control Block“
  - Storage space to exchange data with the kernel
  - Special memory that does not fault
    - Simplifies kernel code
- Capability invocation → sending a message to an object
  - Data is transferred using the UTCB
  - Message transfer is a `memcpy()` between source and destination UTCBs

- IPC can transfer data and resources
- Resources:
  - Access to memory pages (RAM and IO memory)
  - Access to kernel objects (capabilities)
- Sending access → Granting tasks access to resources
- Data type: Flexpage
  - Flexpages describing resources in the sender's address space
- Map & Unmap operations

# L4 Virtual Memory Model

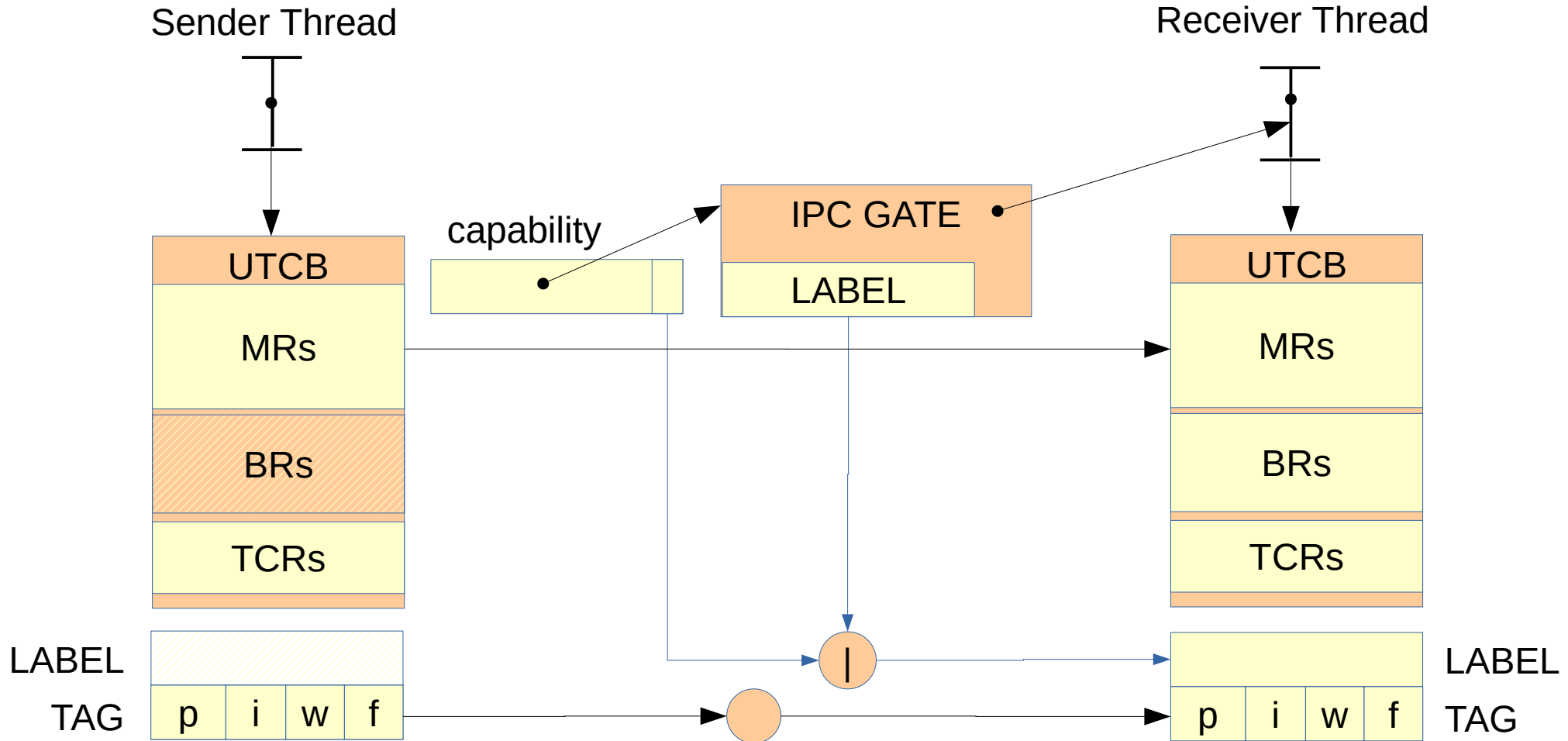




- **TAG** message descriptor
  - Number of words
  - Number of items
  - Flags
  - Protocol ID (type of payload)
- **LABEL** protected message payload
  - Secure identification of a specific capability a message was sent through

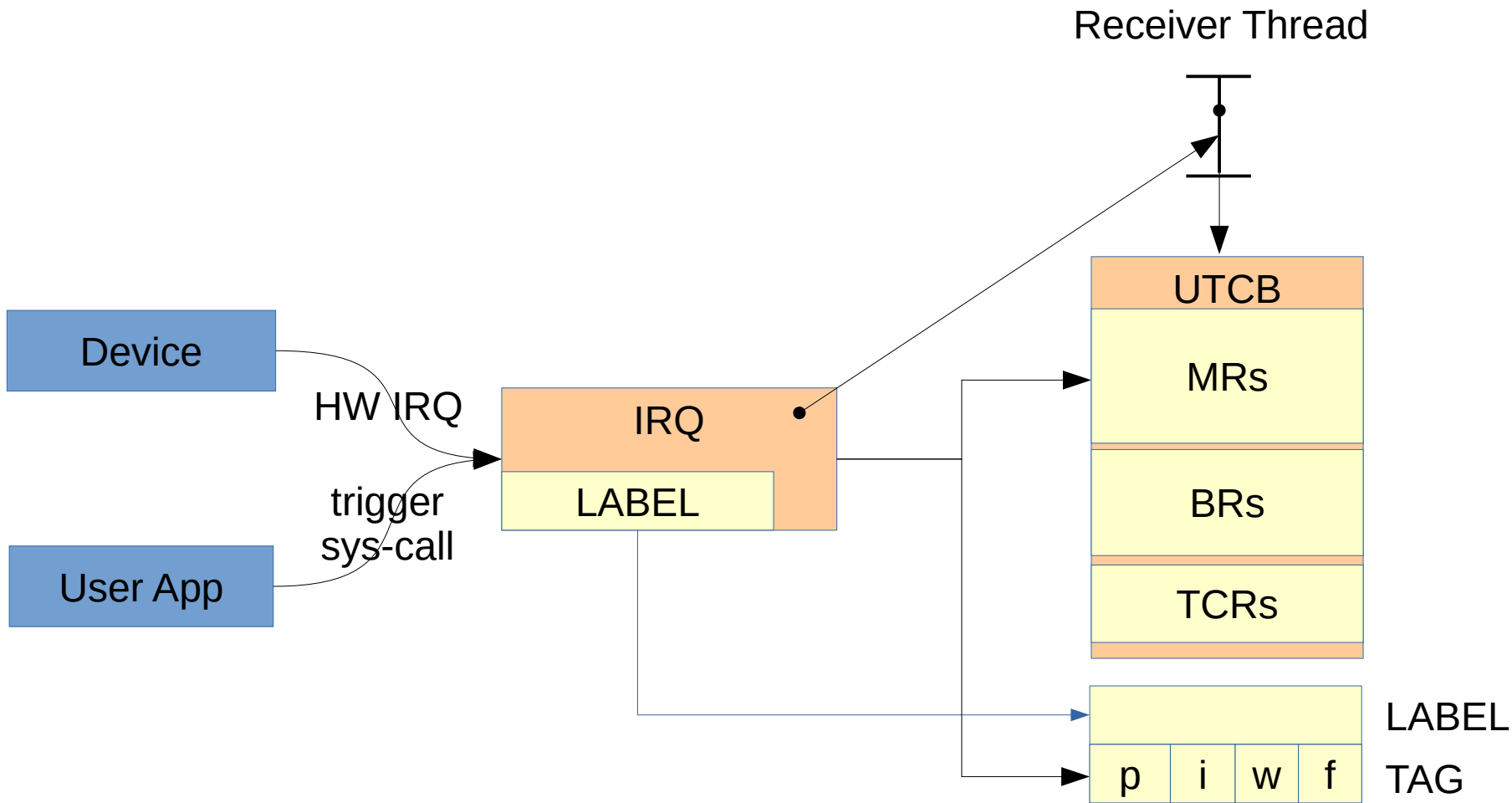
- **MR** message registers
  - Untyped message data
  - Message items (capabilities, memory pages, IO ports)
- **BR** buffer registers
  - Receive buffers for capabilities, memory, IO-ports
  - Absolute timeouts
- **TCR** thread control registers
  - Error code
  - User values



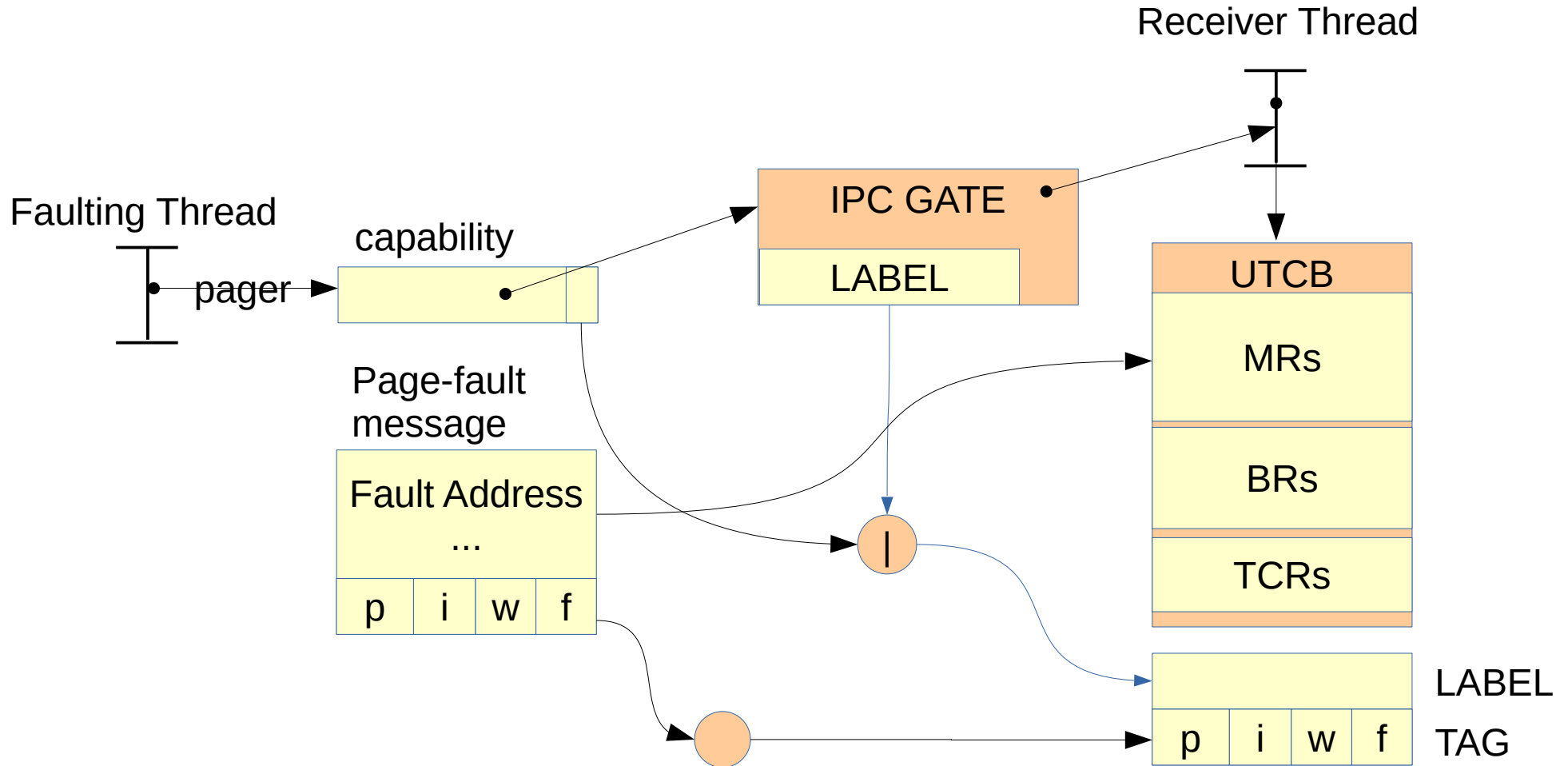


- Synchronous
  - Sender waits until the receiver is ready to receive
  - Blocking can be limited by a timeout
- Data-only IPC is atomic
  - Mapping IPC can block (not atomic)
- Atomic send→receive transition in call
  - Reply can have a zero timeout

# Asynchronous IRQ Message



# Page-fault & Exception Message



- Supports multi-processor (SMP) on all supported architectures
- Model:
  - Explicit migration by user-level (no policy in the kernel)
  - Address spaces span over cores
  - Transparent cross-core IPC
    - Proxying, programming interface, ...
- User-level provides mechanisms to initiate migration

- L4::Task / L4::VM
- L4::Thread / L4::vCPU
- L4::IPC\_gate
- L4::IRQ
- L4::ICU
- L4::PFC
- L4::Vcon
- L4::Scheduler
- L4::Factory
- L4::Debugger

- Passive protection domain
  - No threads
- Memory protection (incl. x86 IO-ports)
  - Address space(s)
- Access control (kernel objects, IPC)
  - Object space
  - User-level managed
  - Managed by sparse array
  - Lock free access (using RCU)
- Variants:
  - Dma\_task
  - VM

- Executes in a task
  - Access to virtual memory and capabilities of that task
- States: ready, running, blocked
- UTCB
- Active endpoint in synchronous IPC
- Needs scheduling parameters to run
- vCPU mode (later)



- Create (kernel) objects
  - Limited by kernel-memory quota
  - Secondary kernel memory also accounted: page tables, KU memory, FPU state buffers, mapping nodes, ..
- Generic interface
  - User for kernel and user-level objects

- Messages forwarded to a thread
- Including protected label for secure identification
- Fundamental primitive for user-level objects

- Asynchronous signaling
  - Signal forwarded as message to thread
  - No payload
  - Including protected label for identification
  - Fundamental primitive for hardware IRQs and software signaling

- Interrupt controller abstraction
  - Binds an IRQ object to a hardware IRQ pin / source
  - IRQ object gets triggered by hardware interrupt
  - Control parameters of IRQ pin / source
- Generic interface
  - Also used for virtual IRQ sources (triggered by software)

- Manage CPUs and CPU time
  - Bind thread to CPU
  - Control scheduling parameters
  - Gather statistics
- Generic interface
  - Used to define resource management policies

- PFC: Platform control:
  - Enable/disable CPUs
  - Suspend/resume
  - Reset / Poweroff (depending on platform)
- Vcon:
  - Console access
- Debugger:
  - Access to in-kernel debugger

- Generic virtualization approach
  - Paravirtualization
    - Making an OS a native L4Re application, e.g. L4Linux
  - Hardware-assisted virtualization
    - Using CPU features: Intel VT-x, AMD SVM, ARM VE, MIPS VZ
- Based on concept of a vCPU

- Standard threads are synchronous in execution, i.e.:
    - Can execute, OR
    - Can receive messages
  - The execution of a CPU is asynchronous, i.e. interrupt driven
    - Can execute, AND
    - Can be ready to receive messages

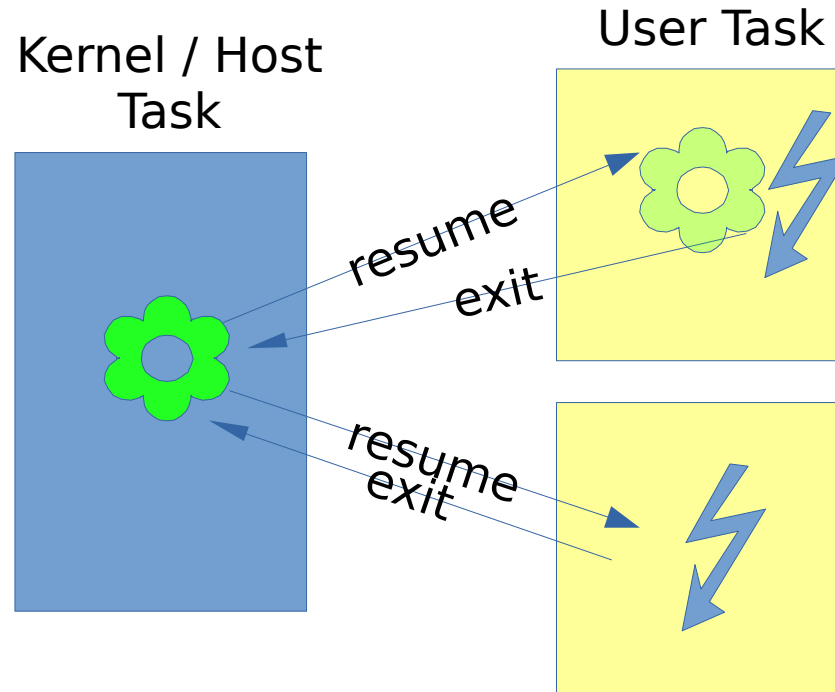
i.e. message can be received while code is executed
- Standard threads are hard to use for executing OS kernels



- A vCPU is a unit of execution
  - It's a thread with more features
  - Every thread can be a vCPU
- Enhanced execution mode: Interrupt-style execution
  - Events (incoming IPCs and exceptions) transition the execution to a user-defined entry point
  - Virtual interrupt flag allows control
    - Behaves like a thread with disabled virtual interrupts
- Virtual user mode
  - A vCPU can temporarily switch a different task (address space)
  - Returns to kernel task for any receiving event

- Entry information
  - Entry-point program counter
  - Entry stack pointer
- vCPU state
  - Current mode
  - Exception, page-fault, interrupt acceptance, FPU

- State save area
  - Entry cause code
  - Complete CPU register state
  - Saved vCPU state, saved version of the vCPU state
- IPC/IRQ receive state



	Physical CPU	vCPU
Concurrency control	Interrupt flag	Virtual interrupt flag
Control flow transfer	Interrupt entry vector(s)	Entry point
State recovery	Kernel stack or registers by CPU, mostly kept	State-save area
MMU	Page-tables	Host tasks
Protection	Modes: Kernel / User	vCPU User / vCPU Kernel

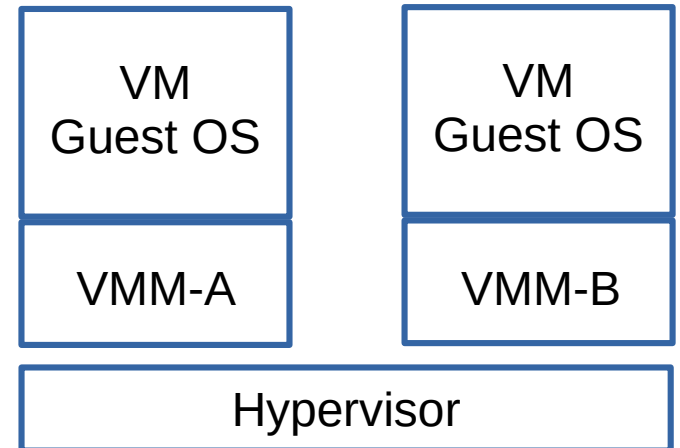
- Requires privileged instructions
  - Implemented in the host kernel (hypervisor) using the vCPU execution model.
- State save area extended to hold
  - x86: VMCB / VMCS (hardware defined data structures, see manuals)
  - ARM / MIPS: kernel-mode state + interrupt controller state
- Guest memory for VM
  - Hardware provides nested paging
  - x86: L4::VM, a specialized L4::Task
  - ARM / MIPS: L4::Task
  - Maps guest physical memory to host memory

- Extended mode: has hardware state
- vCPU-resume implements VM handling
  - Plus sanity checking of provided values
- VMM can run with open and closed vCPU interrupts
  - Open: VMM continues in entry upon VM-exit
  - Closed: VMM continues after resume call upon VM-exit
- Nested paging vs. vTLB

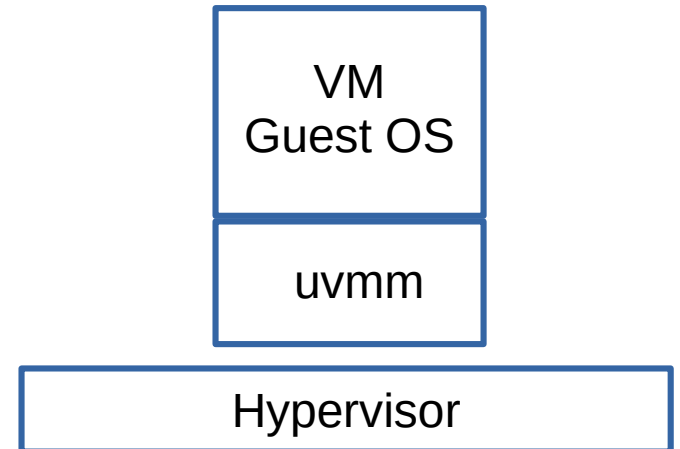
- Type-1 Hypervisor
- Microkernel has virtualization features
  - “Microhypervisor”
- Split functionality:
  - Hypervisor: privileged mode functionality (e.g. VM switching)
  - VMM: user-level program providing the virtual platform for VMs



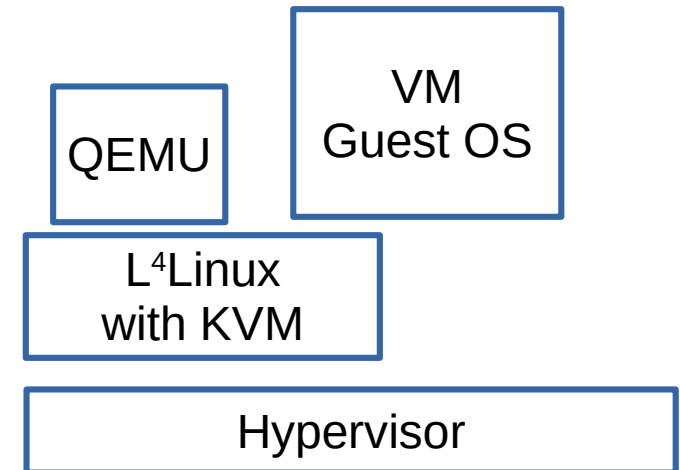
- Used with hardware-assisted virtualization
- VMM: Virtual Machine Monitor
- Typical model: One VMM per VM
  - Application-specific VMM (simple vs. feature-rich)
  - Multi-VM VMMs possible
- VMM is an **untrusted** user application



- uvmm:
  - VMM for ARM and MIPS
  - uvmm for x86 is WiP
  - Small
  - Uses VirtIO for guests



- Feature-full virtualization
- Runs Windows
- x86-based
- Uses L<sup>4</sup>Linux to run KVM & QEMU
- Used in production

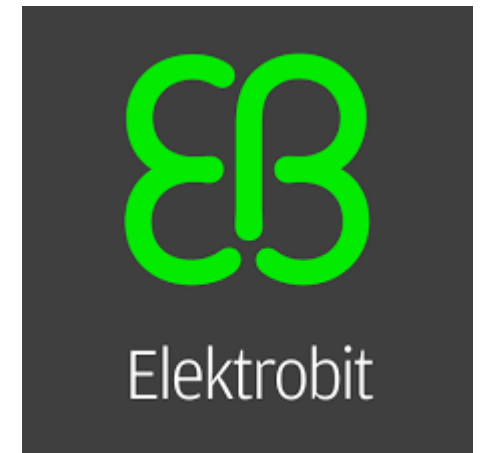


- Use C++ to get type-safety in the kernel
- Kernel handles different kind of integer types, e.g.
  - Physical addresses
  - Virtual addresses
  - Page-frame numbers
- Prevent that one can easily convert one into another
  - I.e.: unsigned long phys, virt;  
virt = phys; ← This should not work
- Explicit types:
  - Virt\_addr, Phys\_addr, V\_pfn, Cpu\_number, Cpu\_phys\_id, ...

- Provides virtual memory for devices
  - Needs page-table
- Kernel provides mechanisms
- User-level component manages the page-table (task)
- Uses standard mapping/unmapping mechanism

- Each cores run an independent scheduler
- Scheduling type selected at compile time
  - Standard: Fixed-priority round-robin
  - WFQ
- Further topics
  - Scheduling contexts
  - Flattening hierarchical scheduling
  - VMs
  - Budgets / Quotas / QoS
  - ...

- Security Appliances
  - (Application) Firewalls, Data-Diodes, ...
  - Up to level GEHEIM / NATO SECRET
- IoT devices
- Automotive
  - New industry-wide paradigm: Consolidate ECUs
  - Central High Performance Controllers
  - Need virtualization etc.
- ... and more...



- (Serious) Deployment requires certification
- Security & Safety
  - Security: Common Criteria EAL
  - Safety: ISO 26262, IEC 61508
- Convince others (the assessor) that the system holds the claimed properties:
  - Architecture, documentation of properties
  - Development process
  - Roles
  - ...



**I4re.org**

**kernkonzept.com**



**jobs@kernkonzept.com**

